



**HAL**  
open science

# What is the role of noise and uncertainty in neural network modelling? Almost 30 years of research and applications to karst aquifer modelling and flash-floods forecasting

Anne Johannet, Guillaume Artigue, Séverin Pistre, Marc Vinches, Alain Dezetter, Carole Delenne, Yves Trambly

## ► To cite this version:

Anne Johannet, Guillaume Artigue, Séverin Pistre, Marc Vinches, Alain Dezetter, et al.. What is the role of noise and uncertainty in neural network modelling? Almost 30 years of research and applications to karst aquifer modelling and flash-floods forecasting. HydroML Symposium, Jun 2022, Penn State, United States. 2022. hal-03696112

**HAL Id: hal-03696112**

**<https://imt-mines-ales.hal.science/hal-03696112v1>**

Submitted on 15 Jun 2022

**HAL** is a multi-disciplinary open access archive for the deposit and dissemination of scientific research documents, whether they are published or not. The documents may come from teaching and research institutions in France or abroad, or from public or private research centers.

L'archive ouverte pluridisciplinaire **HAL**, est destinée au dépôt et à la diffusion de documents scientifiques de niveau recherche, publiés ou non, émanant des établissements d'enseignement et de recherche français ou étrangers, des laboratoires publics ou privés.

Copyright

# What is the role of noise and uncertainty in neural network modelling?

*Almost 30 years of research and applications to karst aquifer modelling and flash-floods forecasting*

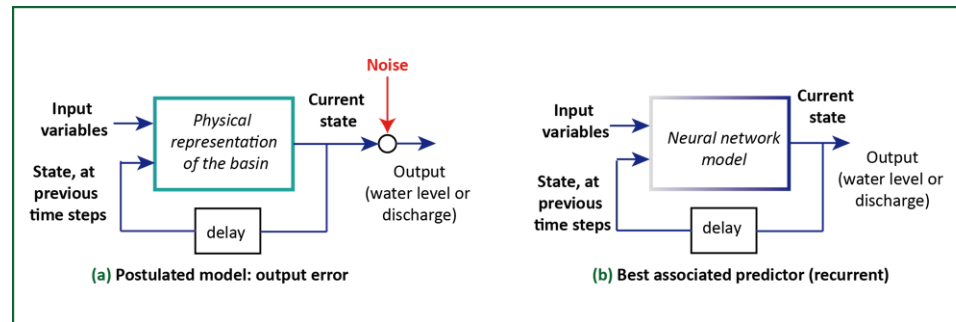
Neural networks to model watersheds or karst basins

## Multilayer perceptron are universal approximators:

- ▶ The main challenges in data-driven modeling are the inaccuracy, the variability, and the statistical significance of the data,
  - Important to consider the relevant hypothesis relative to the noise impact [Nerrand et al, 1993, Taver et al, 2014]
- ▶ Two hypothesis: “output error” and “state error”

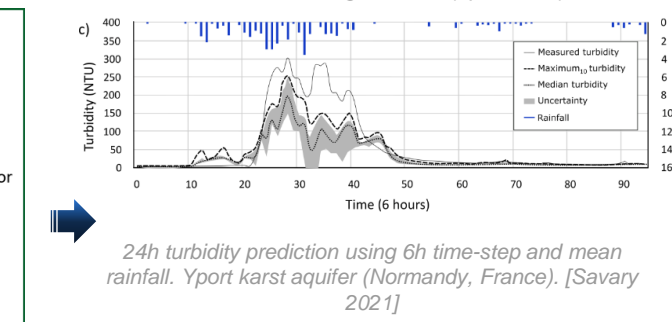
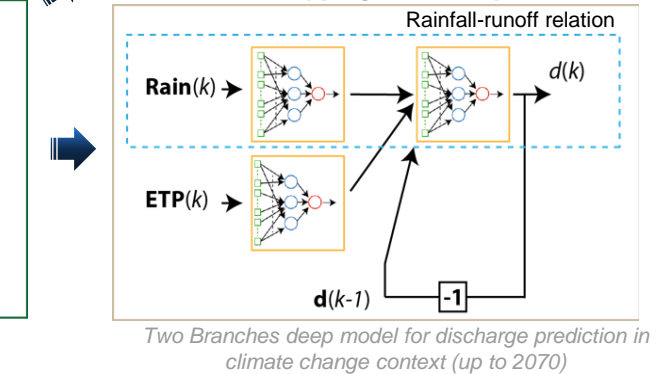
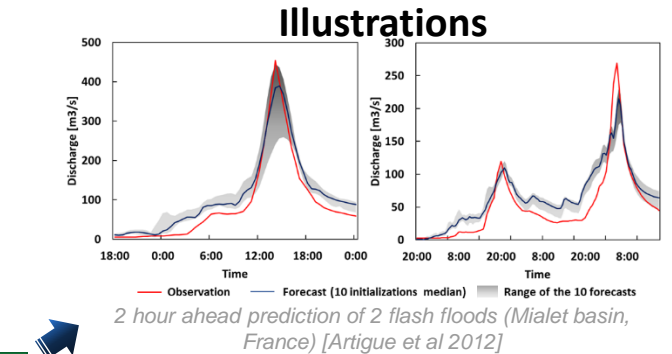
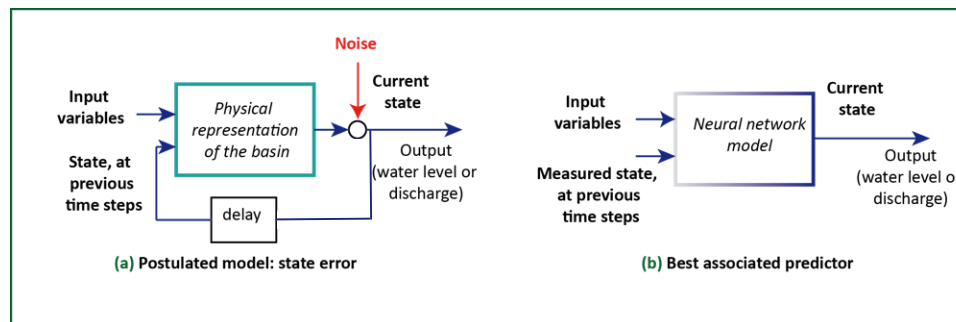
### Output error

The hypothesis of output error supposes that uncertainties are essentially due to output measurement errors (for example rating curve). The best predictor to choose is a **recurrent model**. As the output is corrupted by noise, it is better to inform the model about its state using the estimated output at previous time steps.



### State error

The state of the postulated model is corrupted by noise or uncertainties that can originate from the model (parameters, function) or from rainfalls (forcing data). As the state estimated by the model is corrupted, it is thus logical to use as inputs the observed state of the basin (discharge or water-level) within a **feedforward model** (non recurrent).



- Artigue G., Johannet A., Borrell V., Pistre S., (2012). Flash flood forecasting in poorly gauged basins using neural networks: case study of the Gardon de Mialet basin (southern France). *In Nat. Haz. and Earth Syst. Sc.* (12)11 3307-3324.
- Nerrand, O., Roussel-Ragot, P., Personnaz, L., et al (1993). Neural networks and nonlinear adaptive filtering: Unifying concepts and new algorithms. *In Neural Computation*, 5(2), 165-199.
- Savary, M., Johannet, A., Massei, N., et al. Karst-aquifer operational turbidity forecasting by neural networks and the role of complexity in designing the model: a case study of the Yport basin in Normandy (France). *Hydrogeology Journal*, Springer Verlag, 2021, Special Issue "Five decades of advances in karst hydrogeology", (10.1007/s10040-020-02277-w). (hal-03105289)
- Taver, V., Borrell-Estupina, V., Johannet, A., Pistre, S., (2014) Feed-forward vs recurrent neural network models for non-stationarity modelling using data assimilation and adaptivity. *In HSJ*. DOI: 10.1080/02626667.2014.967696.

#### Authors

Anne Johannet<sup>1</sup>,  
Guillaume Artigue<sup>1</sup>,  
Séverin Pistre<sup>2</sup>,  
Marc Vinches<sup>1</sup>,  
Alain Dezetter<sup>2</sup>,  
Carole Delenne<sup>2</sup>  
Yves Tramblay<sup>2</sup>

#### Affiliations



#### Cofunded by:



<sup>1</sup>HSM, Univ Montpellier, IMT Mines Ales, CNRS, IRD, Ales, France

<sup>2</sup>HSM, Univ Montpellier, CNRS, IRD, Montpellier, France